



To Protect and Promote the Health and the Environment of the People of Kittitas County

May 22, 2013

Jeff Watson, Staff Planner
Community Development Services
411 N Ruby Street, Suite 2
Ellensburg, WA 98926

RE: A. Marchel Short Plat SP-13-00003

Mr. Watson,

Thank you for the opportunity to comment on the A. Marchel Short Plat, SP-13-00004.

ADEQUATE POTABLE WATER SUPPLY STATEMENT:

Applications for subdivisions (short plats and long plats) in Kittitas County shall include the type of water system proposed in order to acquire preliminary approval.

Prior to receiving final approval for subdivisions in Kittitas County, applicants shall be required to make appropriate provision for potable water supplies per RCW 58.17.110 which includes, but is not limited to, the minimum requirements outlined in the Kittitas County Board of Commissioners Resolution 2012-027 (Attachment B).

SEPTIC AVAILABILITY STATEMENT:

KCPHD's recommendation shall state that preliminary approval be conditioned upon the developer/owner of the plat providing satisfactory sewage disposal. Satisfactory sewage disposal can be provided through several different ways depending on the source of disposal proposed.

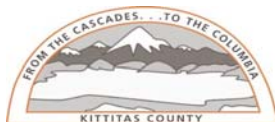
PUBLIC SEWER SYSTEM: In order to recommend approval, KCPHD will need a signed letter from the sewer district stating that the proposed project's connection will be allowed.

ON-SITE SEWAGE SYSTEMS: Soil logs must be performed prior to KCPHD recommending preliminary approval of the plat application per WAC 246-272A-0320(2)(c). Once the soil logs are conducted and approved by KCPHD, the requirement for septic availability will have been satisfied. See soil log fact sheet (Attachment A).

OTHER REQUIREMENTS & CONDITIONS:

REVIEW OF THE APPLICATION FILE: At this point in time this application does not contain sufficient information to make a determination that there is an adequate potable water supply available and soil logs have not been conducted to verify soil conditions for on-site sewage systems. The above mentioned

**Kittitas County
Public Health Department**
507 N. Nanum Street, Suite 102
Ellensburg, WA 98926
T: 509.962.7515
F:509.962.7581



www.co.kittitas.wa.us/health/

**Environmental
Health Services**
507 N. Nanum Street, Suite 102
Ellensburg, WA 98926
T: 509.962.7515
F:509.962.7581

requirements need to be satisfied and the appropriate documentation needs to be submitted to KCPHD for review and approval in order for the plat application to be recommended for final approval.

Kittitas County reserves the ability to require additional proof that adequate provisions for potable water and septic availability have been made by the applicant depending on any health, safety and environmental concerns specific to the project and as governing laws may change in the future.

If you should have any questions or comments, please feel free to contact me at (509) 962-7515.

Sincerely,

Joe Gilbert
Environmental Health Specialist II
Kittitas County Public Health Department

Enc: Attachment A: Soil Log Fact Sheet
Attachment B: Resolution 2012-027

CC: Property owner or agent; Surveyor

Attachment A:

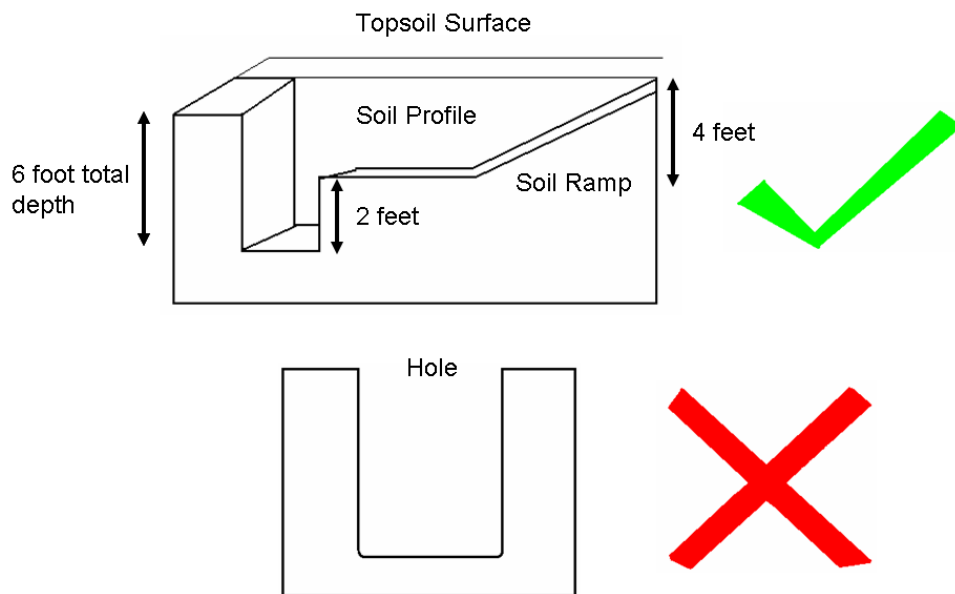
Soil Log Fact Sheet Directions for Land Division

Purpose: The purpose of a soil log is to ensure that future property owners can be assured that they will be able to install a septic system on the property. A soil log is performed to ensure that suitable depth and type of soil is present on the property prior to preliminary plat approval.

Since the type of soil and water source supplying the property can ultimately determine the minimum lot size, soil logs are required before a recommendation for preliminary plat approval can be made.

Requirements: In order for a soil log to be conducted, test holes must meet specific criteria according to Chapter 246-272A-0320 WAC, Kittitas County Code and Labor and Industries safety standards.

- 1) A minimum of one soil log per lot shall be dug to a depth of six feet, unless an impermeable layer such as bedrock, hardpan clay, or the existing water table prevents such a depth from being obtained. In some instances, additional holes may be required to determine if the minimum standards for septic support are present on the lot.
- 2) The design of a test hole shall be sloped to four feet beneath surface, leveled and then dug down an additional two feet for a total depth of six feet (see the diagram below for reference). Such a test hole is designed to prevent possible injury as a result of the surrounding soil bank collapsing into the test hole and to grant the local health officer ease of access to the soil profile.
- 3) In order to sub-divide property at least twelve inches of native, suitable soil must be present at the time the soil log is performed.
- 4) A soil log does not constitute a site-evaluation. A site evaluation determines the type of septic system required. A soil log only determines whether soils present on the property can support a septic system.



Minimum Land Area Requirements: According to the WAC 246-272A-0320 Table X (provided below) the minimum land area requirement from a public health perspective for subdivision of property is determined by the source of the drinking water and the soil type present to support an on-site sewage system. These guidelines have been put in place to protect human health and the environment from the

potential health hazards that an on-site sewage system imposes. The type of water source available and soil type present must be determined by the local health officer. However, other minimum land area requirements may be subject to local government zoning regulations and restrictions, and it is advisable that property land owners seek advice from Community Development Services at (509) 962-7506 for assistance in this area.

TABLE X
Minimum Land Area Requirement
Single-Family Residence or Unit Volume of Sewage

Type of Water Supply	Soil Type (defined by WAC 246-272A-0220)					
	1	2	3	4	5	6
Public	0.5 acre	12,500 sq. ft.	15,000 sq. ft.	18,000 sq. ft.	20,000 sq. ft.	22,000 sq. ft.
	2.5 acre ¹					
Individual, on each lot	1.0 acre	1 acre	1 acre	1 acre	2 acres	2 acres
	2.5 acres ¹					

¹ See WAC 246-272A-0234(6).

Other Considerations: Since open holes present a potential danger to people, livestock, wild animals, and vehicles, it is advisable that such a hole be roped off or covered to prevent unwanted entry or marked to caution and facilitate finding. After the soil log has been performed the hole may be filled in by the property owner or contractor to eliminate the potential hazard.

Scheduling a soil log: Currently, soil logs are performed on a weekly basis by an Environmental Health Specialist. To schedule a soil log please contact the Kittitas County Public Health Department Office located at 507 N Nanum Street, Suite 102 or call (509) 962-7515 to arrange an appointment.

Attention: Do not overlook the water requirements to getting a subdivision approved. (Refer to comment letter for requirements).

BOARD OF COUNTY COMMISSIONERS
COUNTY OF KITTITAS
STATE OF WASHINGTON

RESOLUTION
NO. 2012- 027

RATIFYING THE REVISED KITTITAS COUNTY PUBLIC HEALTH DEPARTMENT ADMINISTRATIVE POLICY
RELATED TO POTABLE WATER SUPPLY FOR SUBDIVISIONS

WHEREAS, Chapter 58.17 RCW requires the County make a determination if an applicant seeking to divide land has made appropriate provisions for, among other things, potable water supply; and

WHEREAS, Chapter 58.17 RCW requires that the finding that provisions are made for potable water supplies including whether there is adequate quantity, quality and a legal right to the water; and

WHEREAS, during a public hearing the Board of County Commissioners considered a revision to the Administrative Policy Related to Potable Water for Subdivision (Resolution 2010-082) presented by Kittitas County Public Health Department; and

WHEREAS, the revision to Resolution 2010-082 presented by Kittitas County Public Health Department addressed updates to current county policy and practices; and

WHEREAS, due notice of the public hearing had been given as required by law, and the necessary inquiry has been made into the public interest and purpose to be served by such publication; and

WHEREAS, it is the desire of the Board of County Commissioners to rescind Resolution 2010-082 and ratify the Kittitas County Public Health Department revisions to the Administrative Policy Related to Potable Water for Subdivision as presented.

NOW, THEREFORE BE IT RESOLVED the Board of County Commissioners, after due deliberation and in the best interest of the public, does hereby approve and ratify the Kittitas County Public Health Department administrative policy related to potable water supply for subdivisions and the same is attached hereto.

DATED this 6th day of March 2012, at Ellensburg, Washington.

**BOARD OF COUNTY COMMISSIONERS
KITITAS COUNTY, WASHINGTON**



Mandy Robinson

ATTEST:
CLERK OF THE BOARD *Deputy*

Alan Crankovich

Commissioner Alan Crankovich, Chairman

Obie O'Brien

Commissioner Obie O'Brien, Vice Chairman

Paul Jewell

Commissioner Paul Jewell

**Kittitas County Public Health Department
Administrative Policy**

Potable Water for Subdivisions

Applications for subdivisions (short plats and long plats) in Kittitas County shall include the type of water system proposed in order to acquire preliminary approval. Prior to receiving final approval for subdivisions in Kittitas County, applicants shall be required to make appropriate provision for potable water supplies per RCW 58.17.110 which includes, but is not limited to, the following minimum requirements:

1. **GROUP A PUBLIC WATER SYSTEM:** Applicants shall submit a signed letter of agreement between the public water system purveyor or official and the land developer/owner granting delivery of potable water for the entire development. If the public water system is being developed specifically for the subdivision/plat, the water system must be approved by Washington State Department of Health (DOH), including issuance of a public water system ID number, prior to recommendation by KCPHD for final plat approval. Section 16.24.210 KCC is not considered to be applicable for Group A public water systems as a Group A water system is held to a higher standard under Washington Administrative Code.
2. **GROUP B PUBLIC WATER SYSTEM:** Applicants shall have a well site inspection performed by KCPHD staff; complete and submit a Group B Public Water System Workbook to either KCPHD for water systems with 3-9 connections or Washington State Department of Health (DOH) for water systems with 10-14 connections or as amended by DOH; have the well(s) drilled; and submit a copy of an agreement with an approved Satellite Management Agency. In addition to these requirements all infrastructure for the Group B Water System including, but not limited to the well/pump house and storage tanks must be completed and water budget neutrality determination(s) from Washington State Department of Ecology (DOE) referencing the relevant subdivision and proposed parcels within the subdivision (if required by Chapter 173-539A WAC) must be provided to KCPHD prior to final approval. Final approval of the Group B Public Water System including issuance of the public water system ID number from DOH and wellhead protection areas shall be required on final mylars prior to recommendation by KCPHD for final plat approval. Section 16.24.210 KCC is not considered to be applicable for Group B public water systems as a Group B water system is held to a higher standard under Washington Administrative Code.
3. **INDIVIDUAL OR SHARED WATER SYSTEM:** Section 16.24.210 KCC applies to individual and shared water systems. Applicants shall submit a well log(s) and four hour draw down test from each proposed parcel within a subdivision, water budget neutrality determination(s) from DOE referencing the relevant subdivision and proposed parcels within the subdivision (if required by Chapter 173-539A WAC), and passing bacteriological and nitrate water quality test from each well. If the proposed subdivision does not have an existing well within the boundaries of each lot, a well must be drilled and the above information shall be provided to KCPHD prior to recommendation by KCPHD for final plat approval. If shared wells are proposed, in addition to

the above requirements a copy of a shared well user's agreement shall be recorded at the Kittitas County Auditor's Office for each proposed parcel that proposes to utilize a 2-party shared water system.

This policy is meant as a guideline for applicants, however Kittitas County reserves the ability to require additional proof that adequate provisions for potable water have been made by the applicant depending on any health, safety and environmental concerns specific to the project. Compliance with all current state and local rules and regulations is required and if this policy is found to be in conflict with any applicable rule, regulation or ordinance, then the rule, regulation or ordinance shall control. All applicants are required to certify that they are in compliance with WAC 173-539A or that WAC 173-539A does not apply to the applicant.